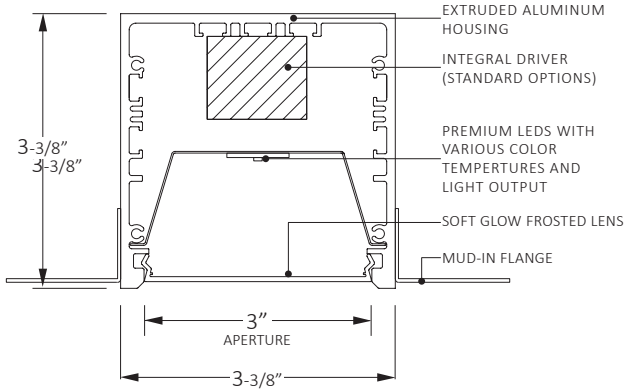


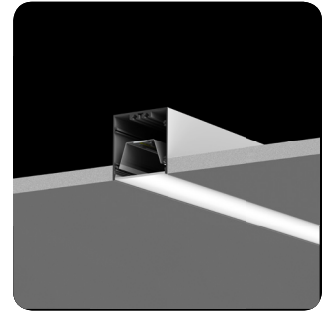
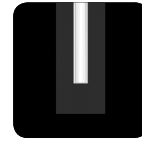
# Iridium <sup>3</sup>

## RECESSED LINEAR (RL)



### FEATURES:

- 3" aperture recessed fixture
- High transmission frosted lenses with no diode imaging
- No visible fasteners
- Extruded aluminum housing
- Dimmable/Programmable drivers for controllable light output
- High efficacy LEDs with 5 year warranty
- Under 2 steps MacAdams Ellipse Binning
- Nearly limitless Continuous Runs



### PRODUCT SPECIFICATION

**NOTE:** All options *italicized* may increase lead times and/or incur higher costs - please consult factory with questions.

FIXTURE TYPE <b>Ir3</b>	MOUNTING	NOMINAL LENGTH*	COLOR TEMP	LED DRIVE POWER	VOLTAGE	DRIVER
Ir3 Iridium 3	<b>DMI</b> Dry Wall Mud-In <b>ACT15</b> 15/16" Grid Act <b>ACT9</b> 9/16" Grid Act	1' 2' 3' 4' 5' 6' 7' 8' CR <sup>**</sup>	<b>27K</b> 2700K <b>30K</b> 3000K <b>35K</b> 3500K <b>40K</b> 4000K <b>50K</b> 5000K	<b>VLO</b> Very Low Output 390 lumens/ft. (4w/ft.) <b>LO</b> Low Output 590 lumens/ft. (6w/ft.) <b>SO</b> Standard Output 775 lumens/ft. (8w/ft.) <b>HO</b> High Output 970 lumens/ft. (10w/ft.) <b>VHO</b> Very High Output 1,130 lumens/ft. (12w/ft.) <b>DHO</b> Dual High Output 1,945 lumens/ft. (19.5w/ft.) <b>CP0</b> Custom Power Output Consult factory	<b>UNV</b> Universal (120-277v) <b>1V</b> 120v <b>2V</b> 227v <b>3V</b> 347v*	<b>ND</b> Non-Dimming 0-10v DIMMING <b>10D</b> 10% DIM <b>1D</b> 1% DIM LUTRON <b>LTEA</b> Lutron Hi-Lume 1% (2-Wire) <b>LDE1</b> Lutron EcoSystem 1% "Soft on" (Digital) <b>LDES</b> Lutron EcoSystem 5% 5-Series (Digital) DALI <b>DALI</b> Digital Addressable Lighting Interface

\*Dimensions are for reference only. Contact factory for more specific information or shop drawings.  
 \*\*Continuous Run: Specify in nominal feet

\*Not all dimming options are available with 347v.

HOUSING FINISH	OPTIONS/CUSTOMIZATION*
<b>WP</b> White Primer (Standard) <b>CF</b> Custom Finish (Consult Factory)	<b>XX</b> No EMB or Customization <b>EMB7</b> 7 Watt battery back-up** (Approximately 600 lumens) <b>EMB12</b> 12 Watt battery back-up** (Approximately 1,000 lumens) <b>90</b> 90+ CRI LED BOARDS (2700K - 4000K only) <b>CCP</b> Corners/patterns* <b>CD</b> Custom Driver* <b>CR</b> Customization Requested*

NOTE: Customization may incur higher costs and/or increased lead times.  
 \*Consult the factory for all custom options or custom concept requests.  
 \*\*The EMB12 is slightly more expensive than the EMB7 option (BOTH OPTIONS ARE INTEGRAL ONLY).

### SPECIFICATION INFORMATION

#### GENERAL NOTES:

All fixtures are **UL listed** for **dry** and **damp** locations.  
**REMOTE DRIVER** for all options.  
 Please contact the factory with any specification questions.  
*Italicized grayed* out options may incur additional costs and/or extended lead times. Please consult the factory.

#### DRIVER: [INTEGRAL]

- 1) NON-DIMMING: As described... this fixture will not dim.
- 2) DIMMING: 0-10v: 1%, 10% :: Lutron: 2-wire Forward phase (Hi-Lume 1%), Ecosystem to 1% (Soft On), Ecosystem to 5% (5 Series). "DALI" - Specify driver. See "Dimming Options" on subsequent pages for more information. For other dimming options, consult the factory.
- 3) EMERGENCY: Specify EMB under the Options/Customization category at the end of the cut sheet along with the desired lumen output (600 or 1,000 lumens - the latter is slightly more costly).
- 4) Drivers are programmed according to our standard lumen packages or to custom watt/lumen package requirements.
- 5) Consult factory with any questions or specification requirements.

#### FINISHES:

The standard finish is a Satin Clear anodized housing with Machine Finished hardware. Machined finish is preferable for machined components (Hardware Detail) - Powder coating these parts may result in additional costs. Consult the factory with any questions about standard or custom finishing options.

#### CUSTOMIZATION:

We have numerous custom options available. However, if there is something unique required for a project, from simple options to complete custom requests, we are more than willing to entertain any creative notions you might have. Just ask.



**PRODUCT SPECIFICATION**

- Fixture delivered light potential: 99 Lumens/Watt\*
- Uniform light distribution
- 90+ CRI LED diode options
- Exceptional binning- less than 2 step MacAdams Ellipse
- Minimum 70% initial lumen output at 70,000 hours
- Standard 0-10v dimming to %10
- Lutron, Eldoled, Dali, and other dimming options
- 5 year system warranty

\*Actual fixture efficacy will be dependent on specification. Higher lumens per watt are achieved with lower drive powers. Please contact the factory with questions or for more information.

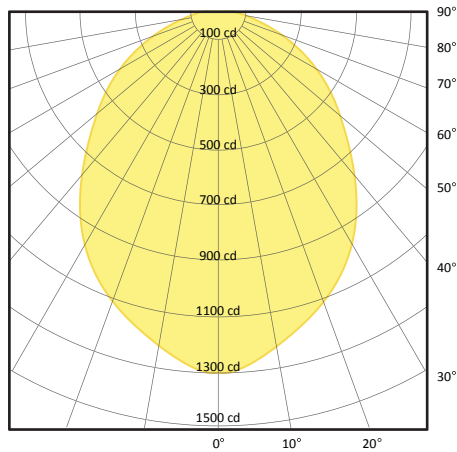
**LUMEN OUTPUT\***

DRIVER OUTPUT	LUMEN OUTPUT (PER FOOT)	
	WATTAGE	LUMENS
VERY LOW (VLO)	4	390
LOW (LO)	6	590
STANDARD (SO)	8	775
HIGH (HO)	10	970
VERY HIGH (VHO)	12	1,130
DUAL HIGH (DHO)	19.5	1,945

DRIVER OUTPUT	PER 4' FIXTURE (TOTAL DELIVERED LUMENS)	
	WATTAGE	LUMENS
VERY LOW (VLO)	16	1,560
LOW (LO)	24	2,360
STANDARD (SO)	32	3,100
HIGH (HO)	40	3,880
VERY HIGH (VHO)	48	4,520
DUAL HIGH (DHO)	82	7,780

- **VERY LOW:** Considerably underdrives the LEDs to maximize fixture efficacy potential and limit wattage use.
- **LOW:** Underdrives the LEDs for reasonable light output while maintaining low wattage use.
- **STANDARD:** Drives the LEDs for the best combination of lumen output and fixture efficacy.
- **HIGH:** Drive the LEDs at higher capacity for higher lumen output with good efficacy.
- **VERY HIGH:** Drives the LEDs at the highest capacity for the highest lumen output with the best efficacy.
- **DUAL HIGH:** Drives the LEDs at double the capacity of the highest lumen output with the best efficacy.

\*Lumen output will vary depending on ambient temperature. Cooler ambient and LED color temperatures result in higher luminaire performance. Calculations are based on 4000K LEDs.

**LUMINOUS INTENSITY DISTRIBUTION****FIXTURE PROPERTIES (AS TESTED)**

- 4' nominal length fixture
- Standard Output (SO)
- Total system energy consumption: 32 Watt
- 99 Lumens/Watt
- 4000K 80 CRI LED

**ZONAL LUMEN SUMMARY**

ZONE	LUMEN	%LAMP	%FIXTURE
0 - 30	945	21.9%	30.4%
0-40	1,509	34.9%	48.6%
0-60	2,528	58.5%	81.4%
0-90	3,105	71.9%	100%

